



ENGINE

| | |
|--|---|
| Model | : ISUZU-AH-6HK1X |
| Type | : Water-cooled, 4 cycle, 6 cylinders, line type direct injection, turbocharger, intercooler, electronic diesel engine |
| Power | : 271 HP / 2000 rpm SAE J1349 |
| Max. Torque | : 1080 Nm / 1500 rpm |
| Displacement | : 7790 cc |
| Bore and Stroke | : 115 mm x 125 mm |
| Emission Class | : FAZ III-A (Tier III) * |
| This new engine complies with the Emission Regulations U.S. EPA Tier III, and and EU Stage III-A | |

UNDERCARRIAGE

| | |
|---|-------------------------------|
| X Type Lower Frame Construction Pentagon Box Type Chassis | |
| Shoe | : Triple grouser |
| No. Of Shoes | : 2 x 50 |
| No. Of Lower Rollers | : 2 x 9 |
| No. Of Upper Rollers | : 2 x 2 |
| Track Tensioning | : Hydraulic Spring Tensioning |

CAB

- Wide cab and easy entrance
- Use of six viscomount cabin mountings that dampen the vibrations
- Cooled storage room
- Colourful, Easy to read TFT indicant monitor
- Glass holder, book and object storage pockets
- Full automatic digitally air-conditioner
- Overclass standarts on the visibility
- Pool type floor mat
- Improved operator's comfort through versatile adjustable seat
- Ergonomically redesigned cabin through relocated switch board, and re-styled travel pedals and levers
- USB connected MP3 player
- Easy to open the front sliding glass
- Front and rear sun visor
- Large storage areas
- Height adjustable joystick
- Improved seat to back angle
- The height adjustable seat armrests
- Opera Control System

TRAVEL AND BRAKERS

| | |
|---------------------|--|
| Travel | : Fully hydrostatic |
| Travel Motors | : Axial piston type |
| Reduction | : 3 stage planetary gear |
| Travel Speed | |
| High Speed | : 4.7 km/h |
| Low Speed | : 2.7 km/h |
| Max. Drawbar Pull | : 31.850 kgf |
| Gradeability | : 35° (%70) |
| Parking Brake | : Hydraulic multi disc type, integrated transmission |

HYDRAULIC SYSTEM

| | |
|----------------------|---|
| Main Pump | |
| Type | : Double variable displacement axial piston pumps |
| Max. Flow | : 2 x 290 lt/dk |
| Pilot Pump | : Gear, 30 lt/dk |
| Relief Valves | |
| Attachment | : 330 kgf/cm ² |
| Power Boost | : 360 kgf/cm ² |
| Travel | : 360 kgf/cm ² |
| Swing | : 280 kgf/cm ² |
| Pilot | : 40 kgf/cm ² |
| Cylinders | |
| Main Boom | : 2 x 160 x 105 x 1.510 mm |
| Stick Cylinder | : 1 x 170 x 120 x 1.830 mm |
| Bucket Cylinder | : 1 x 150 x 105 x 1.060 mm |

Opera Control System

| | |
|---|---|
| • Easy-to-use control panel and menus | • Overheat prevention and protection system without interrupting the work |
| • Improved fuel economy and productivity | • Automatic idling Selection of multi-language on control panel |
| • Automatic electric power-off | • Rear-view, arm-view camera (Optional) |
| • Maximum efficiency by selection of power and work modes | • Possibility to register 26 different operating hours |
| • Error mode registry and warning system | • Anti-theft system with personal code |
| • Hidromek Smartlink | • Real time monitoring of operational parameters such as pressure, temperature, engine load |
| • Automatic preheating | |
| • Automatic powerboost (Optional) | |

SWING SYSTEM

| | |
|--------------|---|
| Swing Motor | : Axial piston type integrated with shock absorber valves |
| Reduction | : 2 stage planetary gear box. |
| Swing Brakes | : Hydraulic multi disc type, automatic warnings |
| Swing Speed | : 9.1 rpm |

CAPACITY

| | | |
|------------------|---------------------------|-----------|
| Fuel Tank | : 568 lt Engine Oil | : 36 lt |
| Hydraulic Tank | : 250 lt Swing Reduction | : 6 lt |
| Hydraulic System | : 455 lt Travel Reduction | : 2x10 lt |
| Radiator | : 39 lt | |

ELECTRICAL SYSTEM

| | |
|----------------|---------------------|
| Voltage | : 24 V |
| Battery | : 2 x 12 V x 150 Ah |
| Alternator | : 24 V / 50 A |
| Starting Motor | : 24 V / 5.0 kw |

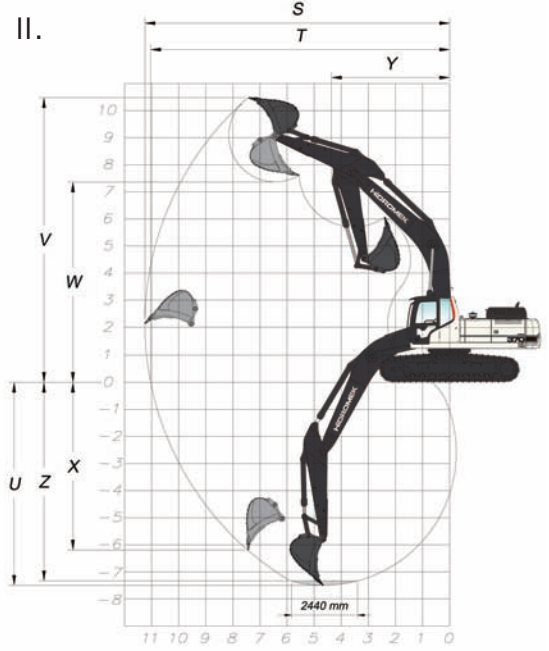
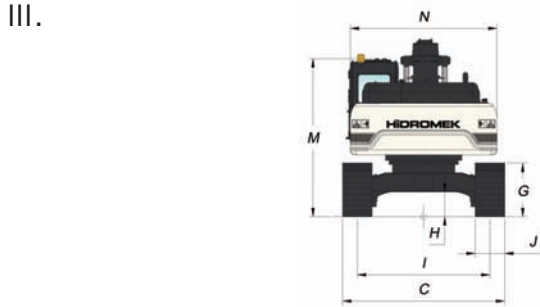
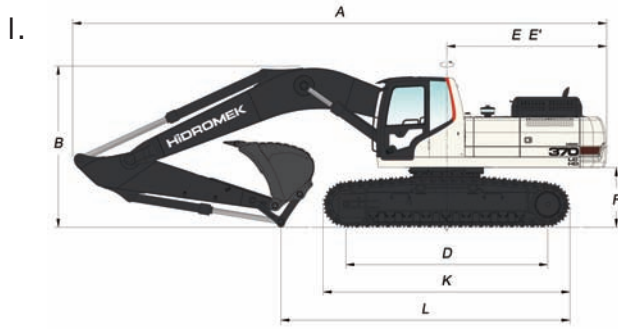
LUBRICATION

Centralized lubrication system is provided for lubrication all difficult-to-reach parts on the components, such as boom and arm

OPERATING WEIGHT

| | |
|---|-------------|
| Standard machine operating weight (370 LC) | : 39.000 kg |
| Standard machine operating weight (370 NLC) | : 39.800 kg |

HMK 370 LC HD



I. GENERAL DIMENSIONS

| | | |
|--------------------------------------|---------------------------|-----------|
| Boom Dimension | *6.100 mm | |
| Arm Dimension | 2.200 mm | *2.600 mm |
| A - Overall Length | 11.000 mm | 10.930 mm |
| B - Overall Height (to top of boom) | 3.810 mm | 3.660 mm |
| C - Overall Width (LC) | *3.300 / 3.500 / 3.600 mm | |
| C - Overall Width (NLC) | *2.990 / 3.190 / 3.290 mm | |
| D - Idler Distance | 4.240 mm | |
| E - Counterweight Distance | 3.400 mm | |
| E' - Turning Radius | 3.450 mm | |
| F - Upper Structure Ground Clearance | 1.250 mm | |
| G - Crawler Height | 1.090 mm | |
| H - Minimum Ground Clearance | 505 mm | |
| I - Track Gauge (LC/NLC) | 2.700 mm / 2.390 mm | |
| J - Shoe Width | *600 / 800 / 900 mm | |
| K - Overall Length of Crawler | 5.190 mm | |
| L - Length Over Ground | 8.260 mm | 7.410 mm |
| M - Overall Height (to Top of Cab) | 3.160 mm | |
| N - Upper Structure Width | 2.990 mm | |

* Standard

II. WORKING DIMENSIONS

| | | |
|---|-----------|-----------|
| Boom Dimension | *6.100 mm | |
| Arm Dimension | 2.200 mm | *2.600 mm |
| S - Maximum Digging Reach | 10.020 mm | 10.350 mm |
| T - Maximum Digging Reach at Ground Level | 9.780 mm | 10.130 mm |
| U - Maximum Digging Depth | 6.140 mm | 6.540 mm |
| V - Maximum Digging Height | 9.950 mm | 10.030 mm |
| W - Maximum Dumping Clearance | 6.780 mm | 6.900 mm |
| X - Maximum Vertical Digging Depth | 4.930 mm | 5.090 mm |
| Y - Minimum Swing Radius | 4.420 mm | 4.100 mm |
| Z - Maximum Digging Depth (2440 mm level) | 5.940 mm | 6.350 mm |

III. DIGGING PERFORMANCE

| | |
|--|--------------------------|
| Standard Bucket Capacity | 2.0 m ³ (SAE) |
| Bucket Digging Force (Power Boost) ISO | 23.800 (26.000) kgf |
| Arm Crowd Force (Power Boost) ISO | 20.300 (22.200) kgf |



HIDROMEK®

FACTORY - HEAD OFFICE

Ayas yolu 25. km 1. Organize Sanayi Bölgesi Osmanlı Caddesi No: 1
06935 Sincan / ANKARA / TURKEY
Tel: (+90) 312 267 12 60 Fax: (+90) 312 267 12 39
www.hidromek.com • e-mail: export@hidromek.com.tr

Notice:
Hidromek has the right to modify the specifications and design of the model indicated on this brochure without prior notice.